

202-2 SCOPE-MOBILE

Part No.	Part No.	Qty	Desc
----------	----------	-----	------

1	214-0171-00	1	CHASSIS
2	214-0172-00	1	WHEEL
3	214-0173-00	1	WHEEL
4	214-0174-00	1	WHEEL
5	214-0175-00	1	WHEEL
6	214-0176-00	1	WHEEL
7	214-0177-00	1	WHEEL
8	214-0178-00	1	WHEEL
9	214-0179-00	1	WHEEL
10	214-0180-00	1	WHEEL
11	214-0181-00	1	WHEEL
12	214-0182-00	1	WHEEL
13	214-0183-00	1	WHEEL
14	214-0184-00	1	WHEEL
15	214-0185-00	1	WHEEL
16	214-0186-00	1	WHEEL
17	214-0187-00	1	WHEEL
18	214-0188-00	1	WHEEL
19	214-0189-00	1	WHEEL
20	214-0190-00	1	WHEEL
21	214-0191-00	1	WHEEL
22	214-0192-00	1	WHEEL
23	214-0193-00	1	WHEEL
24	214-0194-00	1	WHEEL
25	214-0195-00	1	WHEEL
26	214-0196-00	1	WHEEL
27	214-0197-00	1	WHEEL
28	214-0198-00	1	WHEEL
29	214-0199-00	1	WHEEL
30	214-0200-00	1	WHEEL
31	214-0201-00	1	WHEEL
32	214-0202-00	1	WHEEL
33	214-0203-00	1	WHEEL
34	214-0204-00	1	WHEEL
35	214-0205-00	1	WHEEL
36	214-0206-00	1	WHEEL
37	214-0207-00	1	WHEEL
38	214-0208-00	1	WHEEL
39	214-0209-00	1	WHEEL
40	214-0210-00	1	WHEEL
41	214-0211-00	1	WHEEL
42	214-0212-00	1	WHEEL
43	214-0213-00	1	WHEEL
44	214-0214-00	1	WHEEL
45	214-0215-00	1	WHEEL
46	214-0216-00	1	WHEEL
47	214-0217-00	1	WHEEL
48	214-0218-00	1	WHEEL
49	214-0219-00	1	WHEEL
50	214-0220-00	1	WHEEL
51	214-0221-00	1	WHEEL
52	214-0222-00	1	WHEEL
53	214-0223-00	1	WHEEL
54	214-0224-00	1	WHEEL
55	214-0225-00	1	WHEEL
56	214-0226-00	1	WHEEL
57	214-0227-00	1	WHEEL
58	214-0228-00	1	WHEEL
59	214-0229-00	1	WHEEL
60	214-0230-00	1	WHEEL
61	214-0231-00	1	WHEEL
62	214-0232-00	1	WHEEL
63	214-0233-00	1	WHEEL
64	214-0234-00	1	WHEEL
65	214-0235-00	1	WHEEL
66	214-0236-00	1	WHEEL
67	214-0237-00	1	WHEEL
68	214-0238-00	1	WHEEL
69	214-0239-00	1	WHEEL
70	214-0240-00	1	WHEEL
71	214-0241-00	1	WHEEL
72	214-0242-00	1	WHEEL
73	214-0243-00	1	WHEEL
74	214-0244-00	1	WHEEL
75	214-0245-00	1	WHEEL
76	214-0246-00	1	WHEEL
77	214-0247-00	1	WHEEL
78	214-0248-00	1	WHEEL
79	214-0249-00	1	WHEEL
80	214-0250-00	1	WHEEL
81	214-0251-00	1	WHEEL
82	214-0252-00	1	WHEEL
83	214-0253-00	1	WHEEL
84	214-0254-00	1	WHEEL
85	214-0255-00	1	WHEEL
86	214-0256-00	1	WHEEL
87	214-0257-00	1	WHEEL
88	214-0258-00	1	WHEEL
89	214-0259-00	1	WHEEL
90	214-0260-00	1	WHEEL
91	214-0261-00	1	WHEEL
92	214-0262-00	1	WHEEL
93	214-0263-00	1	WHEEL
94	214-0264-00	1	WHEEL
95	214-0265-00	1	WHEEL
96	214-0266-00	1	WHEEL
97	214-0267-00	1	WHEEL
98	214-0268-00	1	WHEEL
99	214-0269-00	1	WHEEL
100	214-0270-00	1	WHEEL




DATA SHEET	
NO.	062-0717-00
DATE	JULY 1971 (R)
 COPYRIGHT © 1966 TEKTRONIX INC. ALL RIGHTS RESERVED	

FIG. 1 202-2 SCOPE-MOBILE

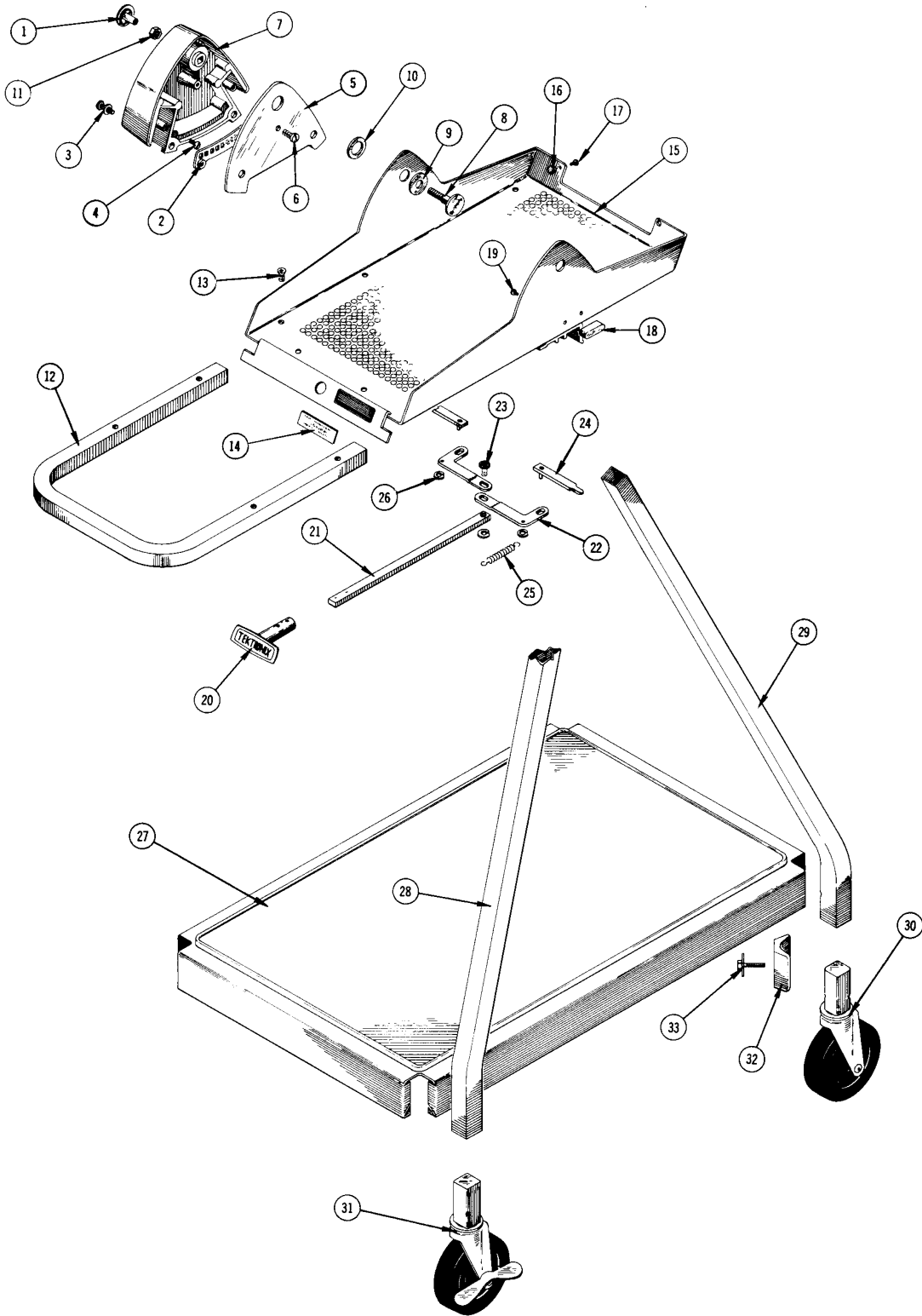


FIG. 1 202-2 SCOPE-MOBILE

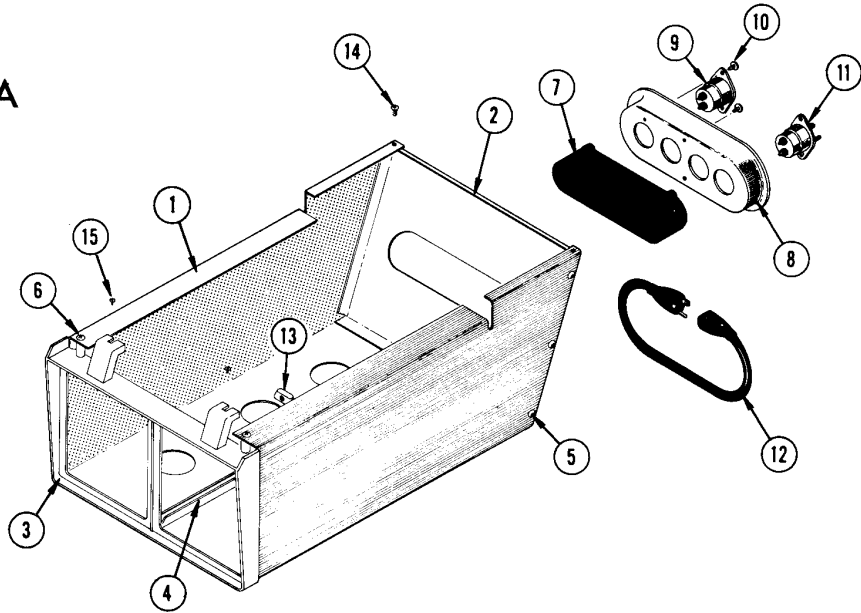
Fig. & Index No.	Tektronix Part No.	Serial/Model No.		Q	Description
		Eff	Disc		
1-	- - - - -	Md1 A	Md1 A	-	202 SCOPE-MOBILE
	- - - - -	Md1 B		-	202-2 SCOPE-MOBILE
	- - - - -			-	scope-mobile includes:
-1	214-0176-00			2	PLUG, medallion
-2	387-0396-00			1	PLATE, left latch
	387-0395-00			1	PLATE, right latch
	- - - - -			-	mounting hardware for each: (not included w/plate)
-3	213-0083-00			2	SCREW, cap, 1/4-28 x 5/8 inch, HHS
	210-0853-00			2	WASHER, flat, 17/64 ID x 1/2 inch OD
-4	213-0091-00			4	SCREW, cap, 5/16-18 x 1/2 inch BUTTON HEAD SOCKET
-5	387-0400-00			2	PLATE, cover
	- - - - -			-	mounting hardware for each: (not included w/plate)
-6	212-0518-00			1	SCREW, 10-32 x 5/16 inch, PHS
-7	426-0124-00			2	MOUNT, trunnion
	- - - - -			-	mounting hardware for each: (not included w/mount)
-8	214-0199-00		6905	1	BOLT, trunnion
	214-0199-01	6906	6906	1	BOLT, trunnion
	214-0174-02	6907		1	BOLT, trunnion
	210-0923-00		6906	1	WASHER, plastic, 7/16 ID x 1 1/8 inch OD
	210-1099-00	6907		1	WASHER, plastic, 7/16 ID x 1 inch OD
-10	210-0922-00			1	WASHER, plastic, 3/4 ID x 1 1/8 inch OD
-11	210-0540-00			1	NUT, hex., steel lock, 5/16-18 inch
-12	367-0027-00			1	HANDLE, tray
	- - - - -			-	mounting hardware: (not included w/handle)
-13	213-0135-00			2	SCREW, sheet metal, #8 x 1/2 inch, 100° csk, FHS
-14	334-0772-00	Md1 A	Md1 A	1	TAG, 202
	334-0852-00	Md1 B	Md1 B	1	TAG, 202-2
	334-1382-00	Md1 C		1	PLATE, identification
-15	436-0029-00	Md1 A	Md1 B	1	TRAY ASSEMBLY
	436-0029-02	Md1 C		1	TRAY ASSEMBLY
-16	348-0025-00		6834	2	FOOT, rubber
	348-0138-00	6835		2	FOOT, rubber
	- - - - -			-	mounting hardware for each: (not included w/foot)
-17	211-0565-00			1	SCREW, 6-32 x 1/4 inch, THS
-18	381-0190-00			1	BAR, tray stop
	- - - - -			-	mounting hardware: (not included w/bar)
-19	212-0039-00			2	SCREW, 8-32 x 3/8 inch, THS
	367-0122-00	X6910		1	HANDLE ASSEMBLY
	- - - - -			-	handle assembly includes:
-20	367-0024-00		6909	1	HANDLE, latch
	367-0024-01	6910		1	HANDLE, latch
	- - - - -			-	mounting hardware: (not included w/handle)
	214-0180-00		6909	2	PIN, roll, 3/32 x 1/2 inch
	214-1296-00	6910		2	PIN, roll, 3/16 x 1/2 inch
-21	381-0186-00		6909	1	BAR, latch
	381-0186-02	6910		1	BAR, latch

FIG. 1 202-2 SCOPE-MOBILE (CONT)

Fig. & Index No.	Tektronix Part No.	Serial/Model No.		Q					Description	
		Eff	Disc	t	y	1	2	3		4
1-21	381-0186-00				1					BAR, latch
-22	387-0397-00				2					PLATE, bell crank
-23	129-0061-00				1					POST, pivot
-24	214-0178-00				2					LATCH, sliding
-25	214-0185-00				1					SPRING, latch
-26	354-0115-00				3					RING, retaining
-27	436-0025-00	Md1 A	Md1 A		1					ASSEMBLY, shelf
	436-0039-00	Md1 B			1					ASSEMBLY, shelf
-28	426-0129-00	Md1 A	Md1 A		2					FRAME, leg, left rear, right front
	426-0183-00	Md1 B			2					FRAME, leg, left rear, right front
-29	426-0128-00	Md1 A	Md1 A		2					FRAME, leg, left front, right rear
	426-0184-00	Md1 B			2					FRAME, leg, left front, right rear
-30	401-0016-00	Md1 A	Md1 A		4					CASTER
	401-0016-00	Md1 B			2					CASTER
-31	401-0023-00	Md1 B			2					CASTER, locking
-32	406-0923-00	Md1 B			4					BRACKET, corner
-33	213-0053-00	Md1 A	Md1 A		4					SCREW, sems, 1/4-20 x 3/4 inch, HHS
	210-0807-00	Md1 A	Md1 A		4					WASHER, flat, 5/16 ID x 5/8 inch OD
	213-0052-00	Md1 B			4					SCREW, sems, 1/4-20 x 1 inch, HHS

FIG. 2 202-2 SCOPE-MOBILE

MODEL A



MODEL B

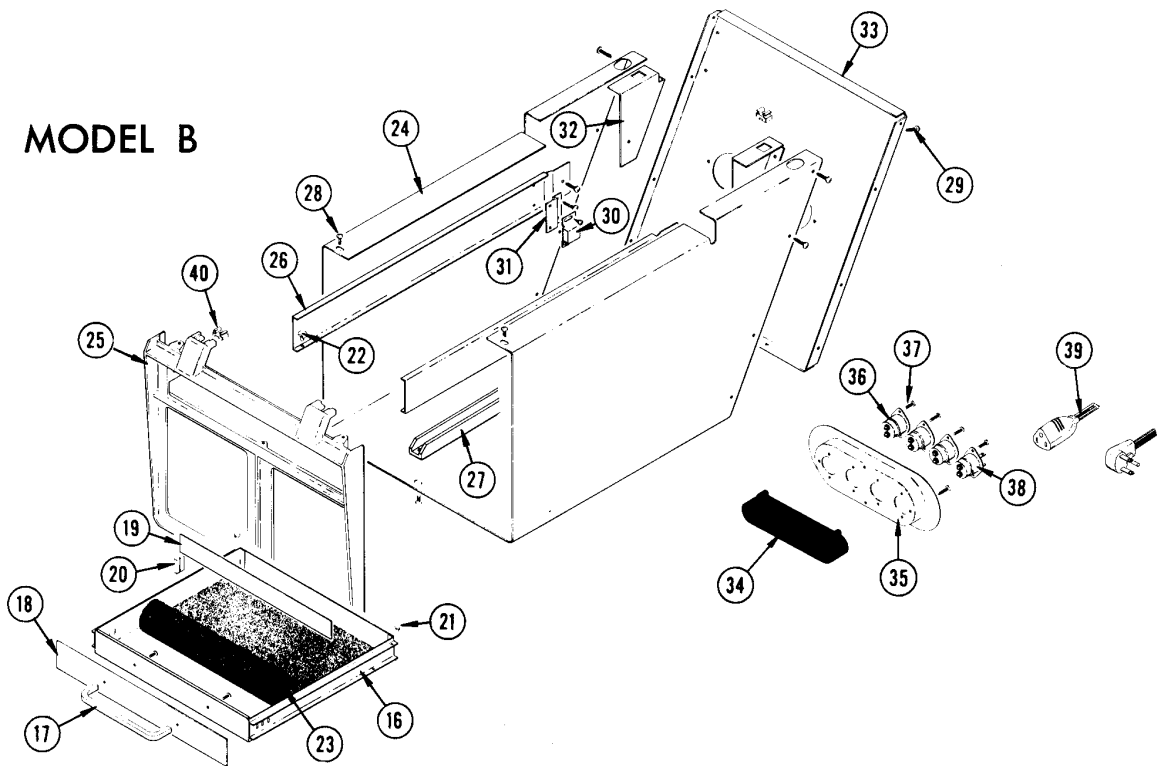


FIG. 2 ACCESSORY STORAGE HOUSING

Fig. & Index No.	Tektronix Part No.	Serial/Model No.		Q † y	Description
		Eff	Disc		
202 SCOPE-MOBILE					
2-	014-0008-00	Md1 A	Md1 A	-	ASSEMBLY, plug-in housing
	- - - - -			-	assembly includes:
-1	380-0030-00			1	HOUSING, plug-in
-2	387-0474-00			1	PLATE, housing back
-3	426-0144-00			1	FRAME, housing
-4	351-0038-00			1	GUIDE, plug-in
	- - - - -			-	mounting hardware: (not included w/guide)
	211-0537-00			2	SCREW, 6-32 x 3/8 inch, THS
-5	213-0144-00			13	SCREW, sheet metal, #8 x 1/2 inch, THS
-6	211-0537-00			2	SCREW, 6-32 x 3/8 inch, THS
	136-0102-00			1	ASSEMBLY, socket
	- - - - -			-	assembly includes:
-7	337-0402-00			1	SHIELD, black plastic
-8	406-0646-00			1	BRACKET, socket receptacle
-9	136-0054-00			3	SOCKET, 3 wire
	- - - - -			-	mounting hardware for each: (not included w/socket)
-10	213-0041-00			2	SCREW, thread cutting, 6-32 x 3/8 inch, PHS
-11	131-0150-00			1	CONNECTOR, 3 wire, male
	- - - - -			-	mounting hardware: (not included w/connector)
	213-0041-00			2	SCREW, thread cutting, 6-32 x 3/8 inch, PHS
	- - - - -			-	mounting hardware: (not included w/assembly)
	213-0144-00			4	SCREW, sheet metal, #8 x 1/2 inch, THS
-12	161-0014-00			1	CORD, power, 3 wire, 20 inches
-13	381-0192-00			2	BAR, plug-in securing
	- - - - -			-	mounting hardware for each: (not included w/bar)
	212-0004-00			2	SCREW, 8-32 x 5/16 inch
	- - - - -			-	mounting hardware: (not included w/assembly)
-14	212-0070-00			2	SCREW, 8-32 x 5/16 inch, FHS
-15	212-0043-00			2	SCREW, 8-32 x 1/2 inch, FHS
	210-0557-00			4	NUT, square, 8-32 inch
202-2 SCOPE-MOBILE					
	014-0015-00	Md1 B		-	ASSEMBLY, drawer and plug-in housing
	- - - - -			-	assembly includes:
-16	436-0042-00			1	TRAY, drawer
-17	367-0036-00			1	HANDLE, drawer
	- - - - -			-	mounting hardware: (not included w/handle)
	212-0039-00			2	SCREW, 8-32 x 3/8 inch, THS
-18	333-0760-00			1	PANEL, front drawer
-19	387-0798-00			1	PLATE, drawer divider
-20	352-0060-00			2	HOLDER, drawer divider
-21	401-0024-00			2	BEARING, drawer slide
-22	401-0015-00			4	BEARING, drawer guide
-23	107-0022-00			1	SHEET, felt
-24	380-0055-00			1	HOUSING, drawer & plug-in
-25	426-0186-00			1	FRAME, housing
-26	351-0065-00			1pr	GUIDE, drawer
	- - - - -			-	mounting hardware for each: (not included w/guide)
	212-0039-00			1	SCREW, 8-32 x 3/8 inch, THS
	213-0144-00			1	SCREW, sheet metal, #8 x 1/2 inch, THS

FIG. 2 ACCESSORY STORAGE HOUSING (CONT)

Fig. & Index No.	Tektronix Part No.	Serial/Model No.		Q					Description	
		Eff	Disc	t	y	1	2	3		4
2-27	351-0038-00				1					GUIDE, plug-in
	- - - - -				-					mounting hardware: (not included w/guide)
	211-0565-00				1					SCREW, 6-32 x 1/4 inch, THS
	211-0510-00				1					SCREW, 6-32 x 3/8 inch, PHS
-28	211-0565-00				2					SCREW, 6-32 x 1/4 inch, THS
-29	213-0144-00				11					SCREW, sheet metal, #8 x 1/2 inch, THS
-30	214-0146-00				1					FASTENER, magnetic catch
	- - - - -				-					mounting hardware for each: (not included w/fastener)
	213-0124-00				2					SCREW, sheet metal, #6 x 1/4 inch, PHS
-31	406-0921-00				2					BRACKET, fastener mounting
	- - - - -				-					mounting hardware for each: (not included w/bracket)
	213-0144-00				2					SCREW, sheet metal, #8 x 1/2 inch, THS
	381-0192-00				2					BAR, plug-in securing (not shown)
	- - - - -				-					mounting hardware for each: (not included w/bar)
	212-0069-00				2					SCREW, 8-32 x 1/4 inch, THS
-32	406-0934-00				1					BRACKET, drawer guide, left
	406-0933-00				1					BRACKET, drawer guide, right
-33	387-0801-00				1					PLATE, housing back
	136-0102-00				1					ASSEMBLY, socket
	- - - - -				-					assembly includes:
-34	337-0402-00				1					SHIELD, black plastic
-35	406-0646-00				1					BRACKET, socket receptacle
-36	131-0669-00				3					SOCKET, 3 wire
	- - - - -				-					each socket includes:
	213-0146-00				1					SCREW, thread forming, #6 x 0.313 inch, PHS
	211-0164-00				1					SCREW, sems, 6-32 x 1/4 inch, PHS
	205-0014-00				1					SHELL, mounting
	214-1016-01				1					INSULATOR, connector
	214-0145-00				2					SPRING, contact
	220-0444-00				1					NUT, square, 6-32 x 1/4 inch
	131-0670-01				1					SPRING, ground, connector
	204-0361-00				1					BODY, connector
	- - - - -				-					mounting hardware for each: (not included w/socket)
-37	213-0104-00				2					SCREW, thread forming, #6 x 3/8 inch, THS
-38	131-0572-00				1					CONNECTOR, power, 3 contact, male
	- - - - -				-					connector includes:
	211-0614-00				1					SCREW, sems, 6-32 x 1/4 inch, PHS
	213-0146-00				1					SCREW, thread forming, #6 x 0.313 inch, PHS
	205-0014-00				1					SHELL, mounting
	214-1016-01				1					INSULATOR, connector
	214-0078-00				2					PIN, connecting
	204-0335-00				1					BODY-CONTACT ASSEMBLY
	- - - - -				-					mounting hardware: (not included w/connector)
	213-0104-00				2					SCREW, thread forming, #6 x 3/8 inch, THS
	- - - - -				-					mounting hardware: (not included w/assembly)
	213-0144-00				4					SCREW, sheet metal, #8 x 1/2 inch, THS
	210-0008-00	X7006			4					WASHER, lock, internal, #8
-39	161-0030-01				1					CORD, power, 3 wire, 9 feet long
	- - - - -				-					mounting hardware: (not included w/assembly)
	212-0043-00				4					SCREW, 8-32 x 1/2 inch, 100° csk, FHS
-40	210-0594-00				4					NUT, retainer